

Using the water table.

Remove the table from the water reservoir.

Check that the pump is properly attached to the water outlet located on the underside of the table top.
Draw the plug/lead downwards through the overflow channel (on the inside of the reservoir) and pull it through the opening located on the underside of the reservoir.
Make sure that the plug is properly placed (shrew in and out by hand only) and put the table back in the reservoir.

Check that the legs are firmly placed in the holders.

Please ensure that the pump lead is not under the legs of the table

Place the water cube on a solid and level foundation and fill it to two thirds full with water.
To operate the water table simply inserts the plug in the socket (Voltage: 230V-AC/50Hz).

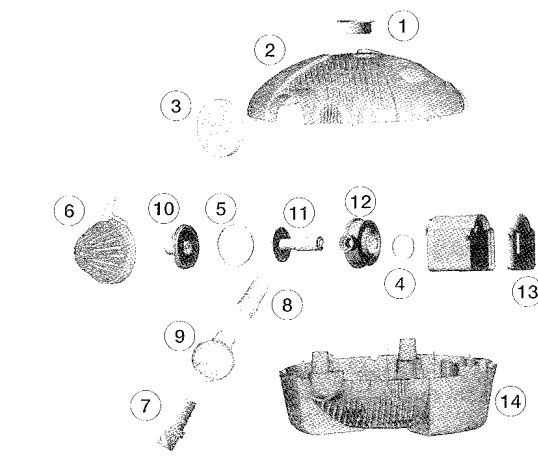
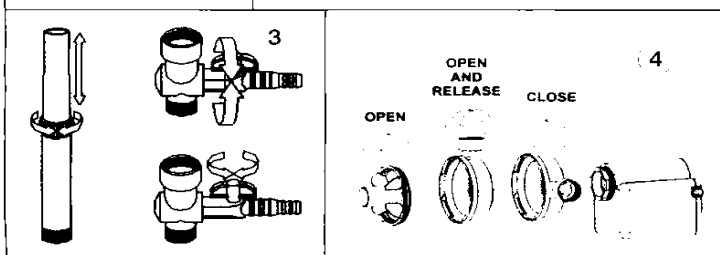
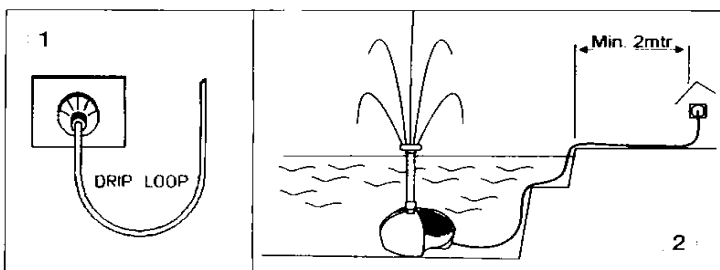
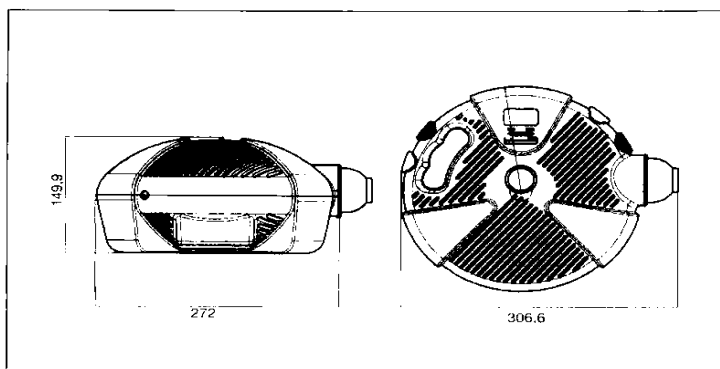
► If not in Use ◄

Do not expose the water table to extremely high temperatures.
To maintain the table dry the underside and apply a fresh protective coat of paint.
Screw off the plug in frosty weather.

► Screw the plug back in only when the water table is to be used ◄



See also our site: www.vijver.eu for more advice.



Spare parts.

Operation:

The pump MultiAqau Vortec, which can be used on its own to circulate the water, the product's grid is capable of collecting even large debris such as leaves and twigs. Moreover the output can be used to power an ornamental fountain or any other kind of water display. To adjust fountain size, turn the flow adjuster (fig.3), which also enables you to use a second jet.